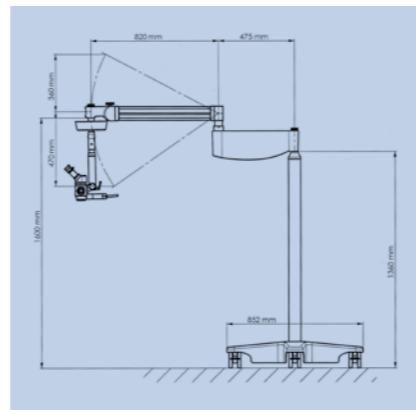
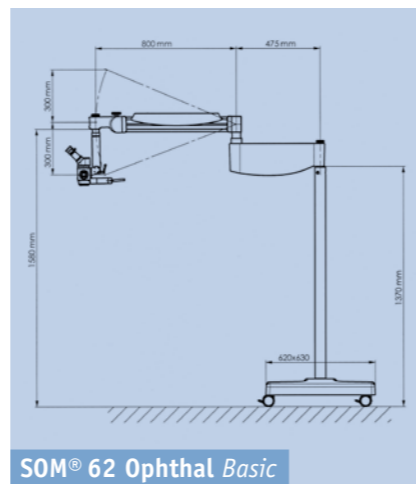


## Technical Details

<b>Illumination</b>	Coaxial cold light illumination 15 Volt / 150 Watt with stand by spare lamp, retina protection filter GG 475, filter against IR and UV damage	
<b>Working distance/ Objectives</b>	Objective f = 200 mm, on choice f = 175 mm, APO f = 200 mm	
<b>Binocular tubes/ Eyepieces</b>	<i>Basic:</i> Wide angle binocular tube 60° with oculars for spectacle wearers WF 12,5x, <i>alternative like Advanced</i>	<i>Advanced:</i> Binocular swivel tube f = 182mm 0-210° Wide angle oculars for spectacle wearers WF 10x with dioptr adjustment
<b>Magnification f = 200 mm</b>	<i>Basic:</i> Apochromatic magnification changer 5-fold (4,0 - 24,8 x), <i>alternative like Advanced</i>	<i>Advanced:</i> Apochromatic Zoom 1:6 fold (3,7 - 22,8 x)



SOM® 62 Ophthal Advanced



SOM® 62 Ophthal Basic

## Accessories

<b>Integrated video system (Vision)</b>	CCD color video camera, Y/C (S-VHS), FBAS (Composite), 752 (H) x 582 (V)
<b>Photo/Video-Documentation</b>	Beam splitter one sided or double sided, TV-Tube for connection to C-Mount cameras, C-mount digital camera, adaption for digital cameras with T2 adaptor
<b>Second observer Attachments</b>	Binocular assistant tube 90°
<b>Slit Lamp (Advanced only)</b>	Manual slit lamp (cold light) f = 200 mm, on choice f = 175 mm

## Special Features

Mobile base with possible mount of TFT monitors	Interchangeable objectives and oculars
Ergonomic and time saving handling	Integrated video system "vision" ( <i>Advanced only</i> )
Swing in retina protection filter GG 475	Red reflex enhancer
Built in diaphragm to increase depth of focus	Extensive range of accessories for documentation
Adaption for BIOM from Oculus	Second observer attachment
Microscope head adjustment device	



Karl Kaps GmbH & Co.KG • P.O. Box 12 25 • 35608 Asslar/Wetzlar  
 Fon (+49) 64 41 8 07 04-0 • Fax (+49) 64 41 8 59 85  
 www.kaps-optik.de • e-mail: info@kaps-optik.de

## Kaps Operating Microscopes

The ideal Instruments for Ophthalmologists



Kaps Operating Microscopes  
 We are looking into details



# SOM® 62 Ophthal *Advanced*

The SOM® 62 Ophthal *Advanced* is a multidisciplinary applicable fully motorized ophthalmic microscope and is suitable for every kind of eye surgeries, from cataract up to back ground. Thus it is the perfect choice for smaller OR rooms or laser centres.

Kaps operating microscopes combines easy and exact positioning, outstanding illumination with a bright high contrast red reflex as well as a optical quality.

## Full motorized functions

The compact size enables a short working distance for the surgeon to the operating field and is user friendly as well immediately ready to work. An additional advantage delivers the 0-210° binocular swivel tube, beyond that all control elements are easy to reach.

The apochromatic 1:6 zoom system provides a crisp and crystal clear image with high transmission and natural colours and offers in combination with the motorized fine focus high user comfort.

The multifunction control unit permits the surgeon to control almost all of the functions such as zoom, focus and XY without having to remove their hands from the operative field. All adjustments are done within seconds by simple knobs.

The integrated XY coupling allows movement changing of the microscope head, with one push on the centre button the head goes into the centre position and the microscope is prepared for the next surgery.

## Small suspension systems

Owing to the compact design, the mobile stand with its large castors and brakes could be easily moved from one room to the other. For OR rooms with smaller space there is ceiling mounting version with a high action radius available.

## Easy surgery

Place your microscope head in its standby position and the illumination is automatically switched off. Bring the system into its using position again and the light comes back on again. This saves you time and reduces your consumption of halogen bulbs.

# *Basic*

The SOM® 62 Ophthal *Basic* is a compact and ergonomic semimotorized basic microscope for ophthalmic examination and cataract surgeries. This is an ideal solution for small clinics and operating rooms. Because of our system all accessories – also for the SOM® 62 advanced – can be integrated later on.

**Ready for operation in seconds:** The apochromatic 5-step changer (on choice manual Zoom 1-6 fold) gives you crystal clear pictures. The motorized fine focus (40 mm range) has a small space saving foot switch. Speed adjustment for focus and brightness of illumination is adjusted in seconds through ergonomic placed control units.

## Stabil Red Reflex

The especially for the red reflex designed coaxial cold light illumination unit 15V/150W with fixed integrated UV filter and the swing in retina protection filter provides a bright red reflex which is rich in contrast and save the patients eye for a maximum.

## Documentation

For the documentation or assistance are different binocular observation systems available. When no accessories required, the integrated video camera "vision" provides effective patient information and documentation. In combination you can attach directly onto the column of the microscope a TFT monitor.

## Sterilization

Drapes sterilization caps on all important knobs keeps the controls clean.

High mechanical and optical quality provides you with a ophthalmology microscope which its unique in its price performance ratio.



*Secondary observation tube,  
90° assistant tube*

*Advanced*

*Basic*