



tt577

Multispot laser

for all your retinal needs

your laser specialist

meridian 
medical

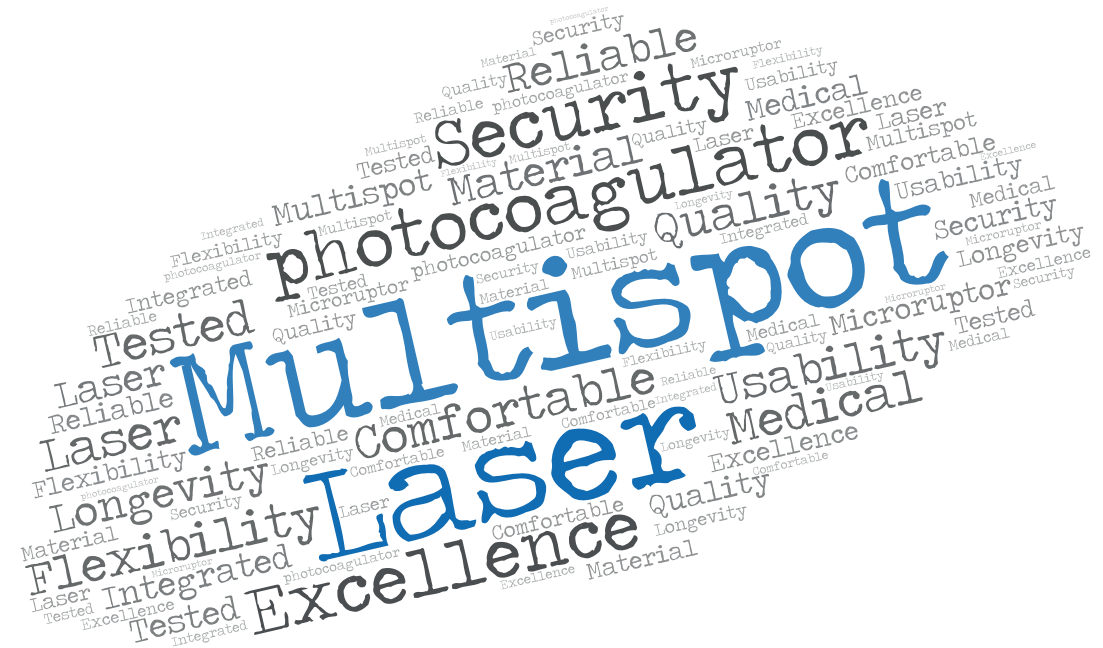
tt577

MOBILITY AND CONNECTIVITY



The TT 577 is a fully featured multispot integrated laser, with dual laser modality continuous wave and Meridian Medical copyright-ed microsecond pulses technology Shortpulse.

TT excels in performance thanks to its functional and modern design – all its components have been carefully integrated in the table, providing a robust operation and sturdy feeling.



tt577

SUPERIOR QUALITY & LONGEVITY

Using the highest quality components Meridian reserves it's best laser cavities for our premium laser range.

We have carefully partnered with the top ophthalmic industry manufacturers to include in our multispot range the absolute best quality components from Switzerland and Europe.

Meridian's propriety scanning systems feature the fastest galvanometers in the market, assuring perfect patterns and laser quality at all times, these systems meticulously integrated in our facilities, provide the best and most stable integration platform combined with Haag-Streit slit lamps.

TT range peripheral fibres and cables are enclosed for their protection, and all the electronics are carefully guarded inside a dust-free aluminium case.



tt577

USABILITY

Designed by European retinal specialists, TT range offers a high level of practical and relevant features:

- Retinal projection: laser settings, laser power, pattern selection, size and rotation can be observed through the oculars without the need of removing the eyes from the binoculars. Maximising the efficiency of the surgeon when performing the treatment.
- Our proprietary smart wheel controller makes the laser operation fast, easy, and Intuitive.
- All laser parameters (e.g. power, pattern, duration) can be swiftly modified using the smart wheel or through its touch screen.
- These advance features help to speed up the treatment time and reduce patient chair time.



your laser specialist



SAFETY

Meridian multisppot range feature the highest range of safety features in pattern laser photocoagulation.

- Restricted pattern size by 2x2.
- Automatic fluence calculation combined with spot size control and laser lens power.
- Restricted total time of pattern delivery to 0.7 seconds.
- Retinal outline projection of patterns to ensure the visibility of tissue and grid location.
- Pattern delivery can be stopped by releasing the foot pedal.
- The table height is automatically locked when the laser is in “ready mode”.



tt577

FLEXIBILITY & COMFORT

We understand customers like to have the option and control, if Haag-Streit BQ 900 is not your preferred bio-microscopy we can provide our pattern lasers with CSO SL 9900.

All Meridian systems are installed and calibrated by our worldwide network of factory trained distributors and engineers.

TT range slit lamp scanners ensure excellent retina illumination and laser delivery.

Meridian offers the flexibility of 3 multispot models to cater for any customer needs.





LASER EXCELLENCE

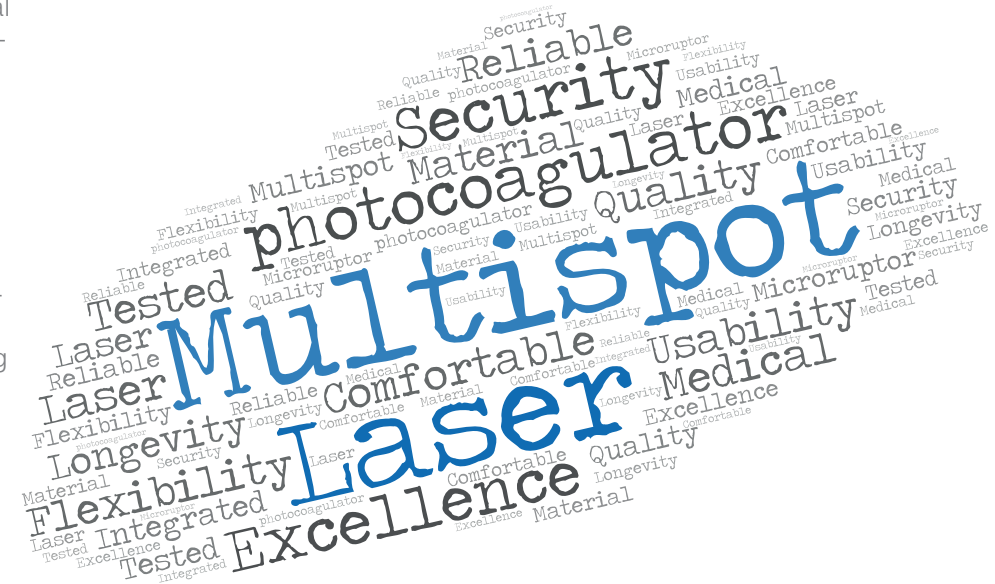
Meridian AG was founded in 1937 and our history is closely linked to the genesis of medical Nd:YAG lasers. The collaboration with Prof. Dr. Franz Fankhauser resulted in the development of the first commercial Nd:YAG laser for ophthalmology back in 1982: The famous Microruptor II.

Later in 1994 Meridian AG launched its first Argon laser, the Merilite, superseded later on by the first Merilas laser in 2006. As new technologies arise, Shortpulse, Meridian's microsecond pulse laser technology was developed by our inhouse engineers.

Today Meridian Medical Group continues developing its portfolio through proprietary innovations and acquisitions. With 3 manufacturing facilities across Europe, Meridian Medical selects and integrates the best Swiss and European laser and optical components ensuring the highest level of quality and long-term reliability.

TIPS FOR YOUR LASER

Your laser is a precision unit, yearly services ensure, not only the quality of the treatment laser, but extends the life of the unit. Regular external maintenance will help to prolong the life cycle of the unit and its components. Use the laser within the specifications of the manufacturer.



tt577

CLINICAL INDICATION

Meridian's multispot laser range has been designed to satisfy the needs of retinal photocoagulation, from proliferative diabetic retinopathy, macular oedema to tears and detachments, our lasers will deliver superb laser quality with the highest optical quality available in the industry.

Whatever your treatment parameter preferences are, Meridian's multispot range, offers you solutions from continuous wave to Shortpulse technology, in single and pattern delivery modalities.

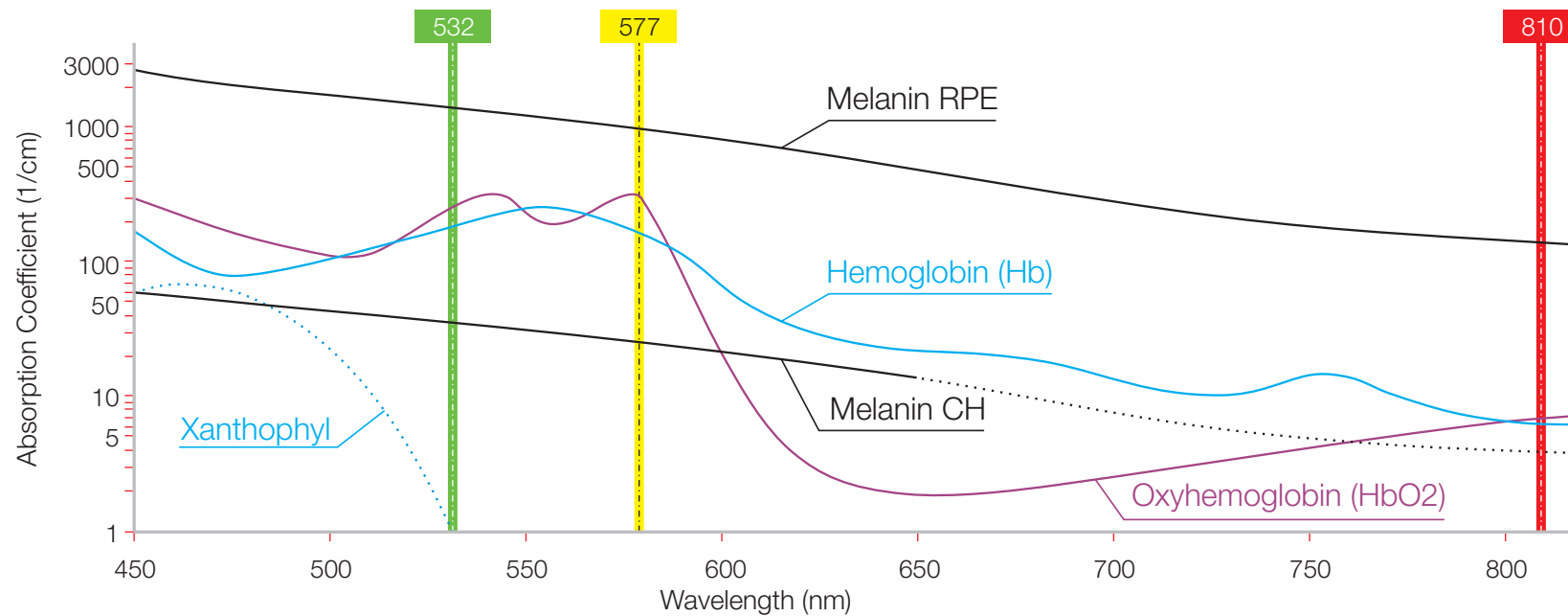




WAVELENGTH BENEFITS – WHY 577 NM?

The yellow light is not absorbed by Xanthophyll, making it ideal for macular treatments.

Higher wavelength penetrates existing opacities better and reaches the tissue more precisely, resulting in lower treatment energies and therefore more patient comfort.



tt577

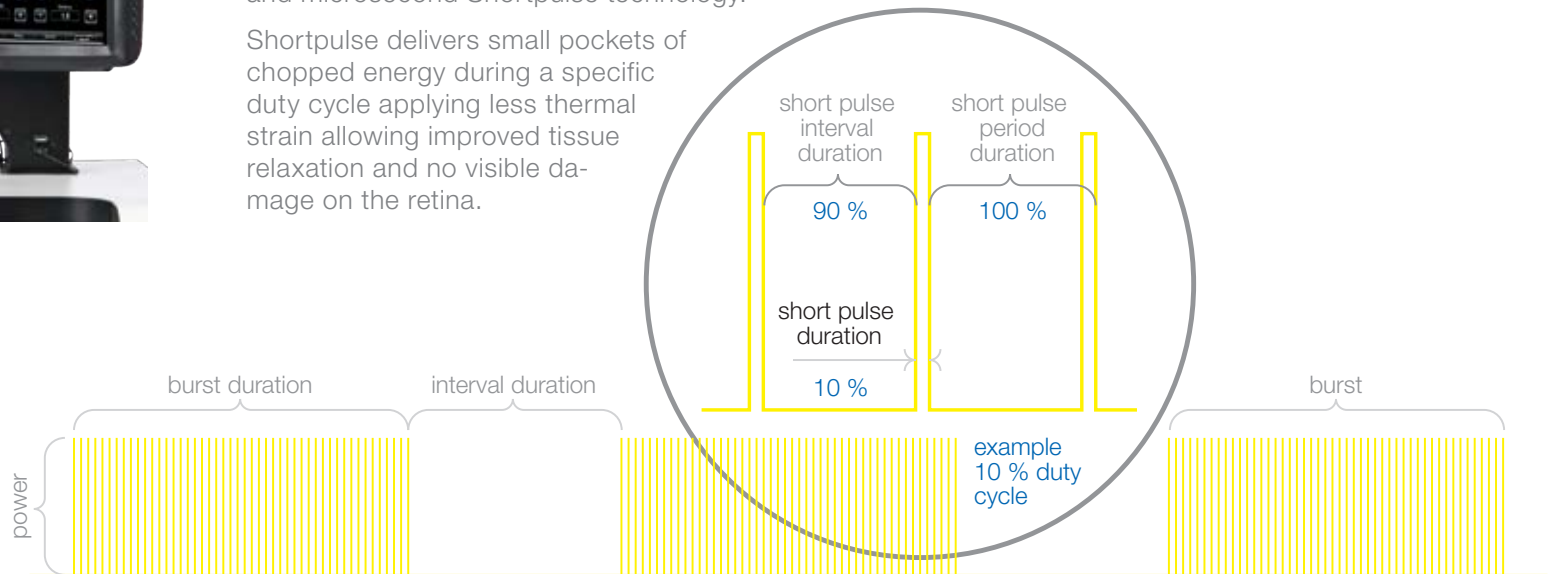
LASER MODALITIES

TT range delivers continuous wave laser and Meridian Medical copyrighted microsecond pulses technology Shortpulse.

Continuous wave (CW) mode has been around since 1961 and it's the standard mode of treatment, pattern lasers have popularised shorter pulses of 10, 20 & 30 ms and new shorter pulses (microsecond pulses) have established as new paradigm in the subthreshold retinal treatment.

Meridian photocoagulators offer all modalities, CW, pattern short millisecond pulses and microsecond Shortpulse technology.

Shortpulse delivers small pockets of chopped energy during a specific duty cycle applying less thermal strain allowing improved tissue relaxation and no visible damage on the retina.



tt577

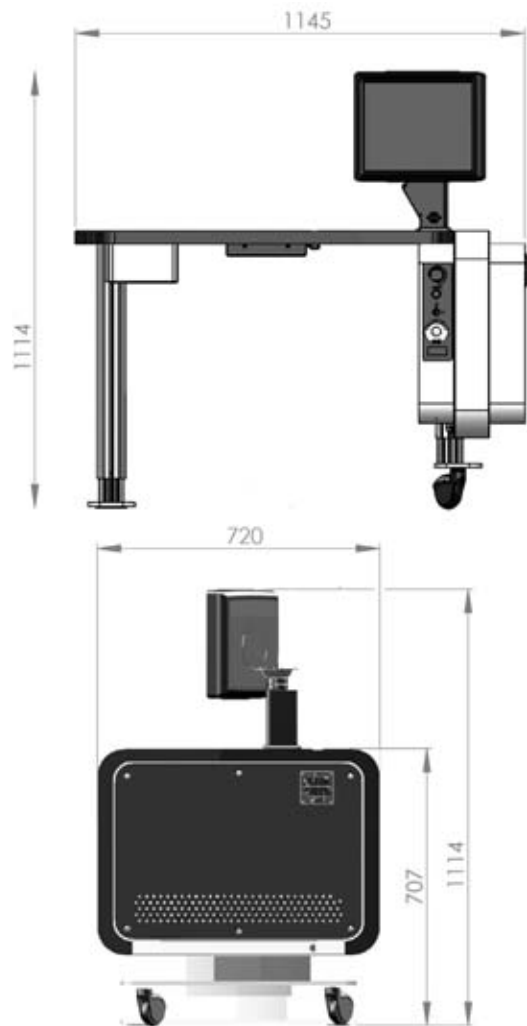
STANDARD ACCESSORIES

Meridian multispot range comes standard with

- Scanning slit lamp delivery system
- Footswitch
- Laser goggles (x1)

TT range includes the two-column table for great patient access.

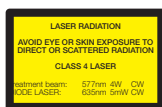




TECHNICAL SPECIFICATIONS*

Device description	Multispot laser tt577
Laser	OPSL 577 nm
Laser Power	3000 mW, restricted to 2000 mW
Pulse duration	Single 10-650ms Pattern 10-30 ms Subthreshold 1-10 µs
Duty cycle	5 - 50 %
Spot sizes	50 µm, 100 µm, 200 µm, 300 µm and 400 µm
Aiming beam	635 nm, adjustable brightness. Pattern projected as spot or outline
Patterns	Square, Circle, Arc, Sector, Line, Spot (repetition)
User interface	15" Touch screen and Smart Wheel
Slit lamp	Haag-Streit BQ 900 or CSO SL 9900
Electric	230 V 50 Hz (Voltage options for different countries are available)
Net Weight	138 kg
Gross Weight	208 kg

* All technical specifications are subject to change without notice. In accordance with the international general safety standards: IEC 60601-1:2005/AMD1:2012, IEC 60601-1-2:014, MDD 93/42/EEC. The laser safety is in accordance with the international standards: IEC 60825-1:2014 and IEC 60601-2-22:2007/AMD1:2012.



tt577

Security
Material
Quality
Reliable
Microruptor
Flexibility
Usability
Medical
Excellence
Laser
Multispot
Integrated
Tested
Material
Quality
Laser
Excellence
Laser
Multispot
Integrated
Tested
Microruptor
Quality
Usability
Material
Multispot
Security
Usability
Medical
Microruptor
Longevity
Excellence
Security
Reliable
Medical
Quality
Microruptor
Tested
Medical
Flexibility
Reliable
Integrated
Usability
Usability
Medical
Microruptor
Longevity
Excellence
Material
Comfortable
Quality
Longevity
Material
Excellence
Material
Integrated
Tested
Excellence
Integrated

Multispot
Laser
photocoagulator
Excellence

your laser specialist



Head office

Meridan Medical Group

Tel.: +41 33 334 11 11
Fax: +41 33 334 11 19
info@meridian.ch
www.meridian.ch

Switzerland

Meridian AG

Bierigutstrasse 7
CH-3608 Thun

Slovenia

Meridian Medical d.o.o

Plemljeva 8
1210 Ljubljana

Finland

Meridian Medical Oy

Elannotie 5
01510 Vantaa